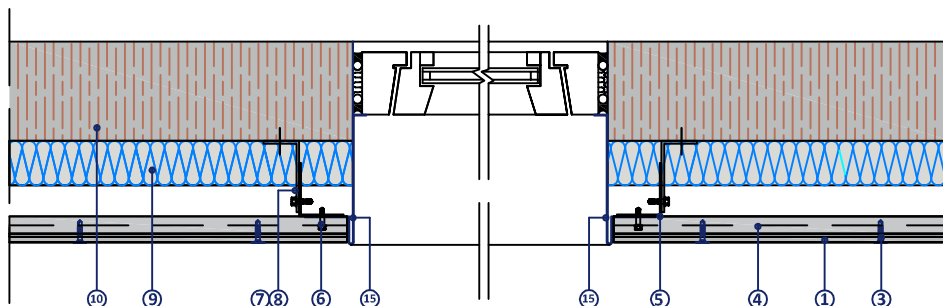
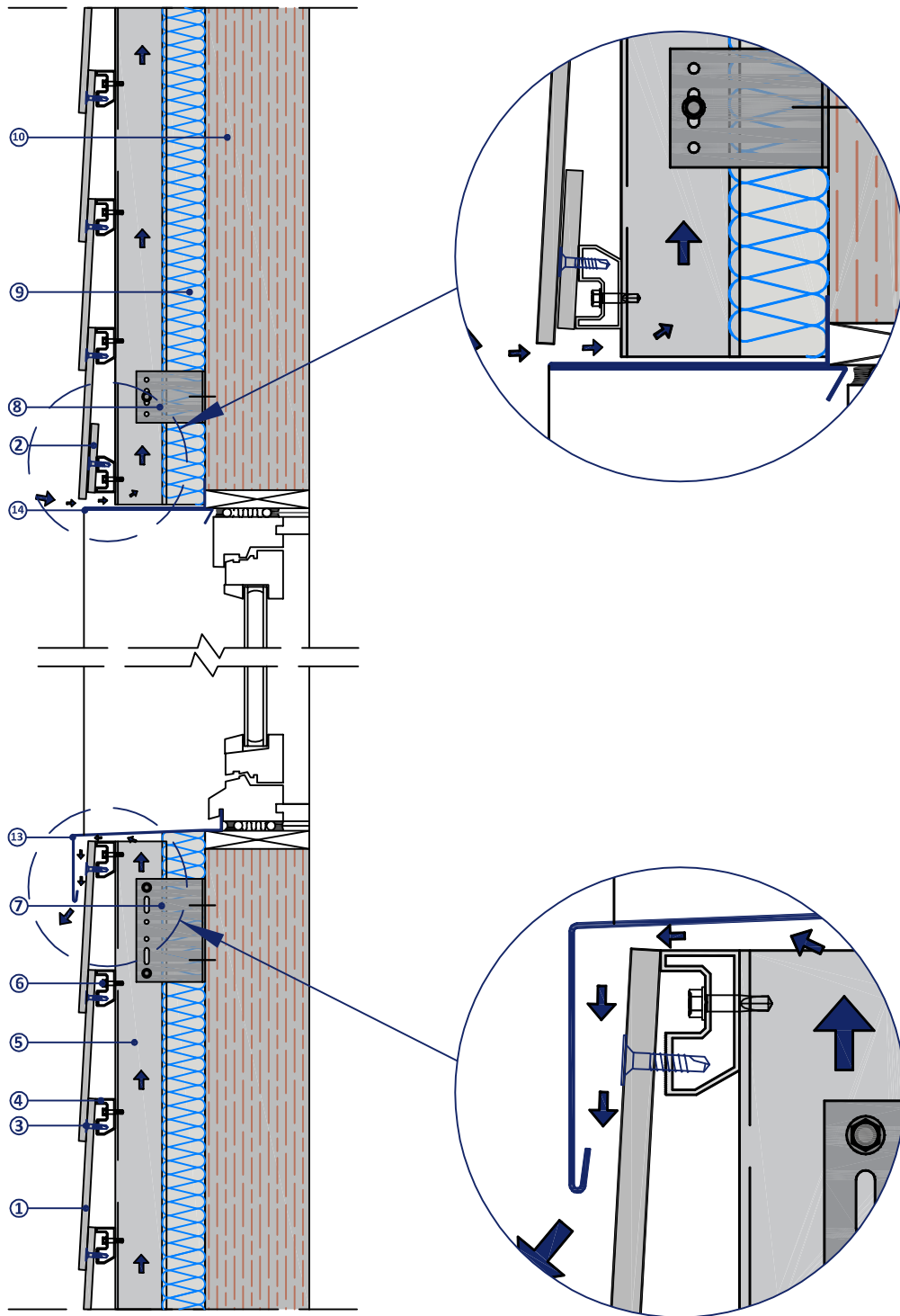


- 1. CUPA PIZARRAS Natural slate
- 2. First course slate
- 3. Self-drilling CUPACLAD® 101 screw
- 4. Horizontal CUPACLAD® 101 profile
- 5. "L" shape vertical profile 50x60

- 6. Self-drilling Inox screw
- 7. "Fixed point" metal bracket
- 8. "Sliding point" metal bracket
- 9. Insulation
- 10. Load bearing wall

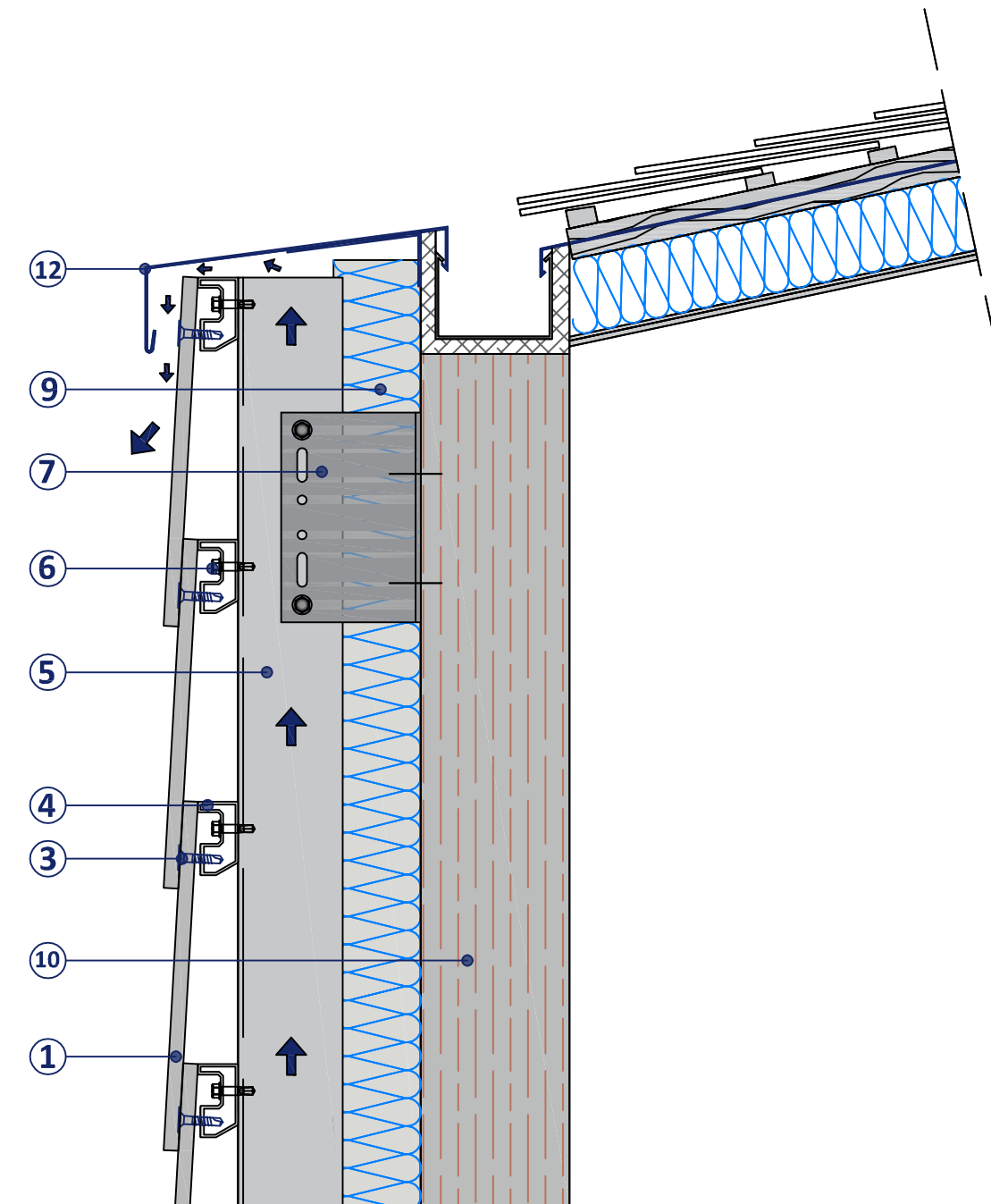
- 11. Ventilated flashing
- 12. Top metal flashing
- 13. Sill metal flashing
- 14. Metal lintel flashing
- 15. Metal jambs flashing
- 16. Metal flashing



- 1. CUPA PIZARRAS Natural slate
- 2. First course slate
- 3. Self-drilling CUPACLAD® 101 screw
- 4. Horizontal CUPACLAD® 101 profile
- 5. "L" shape vertical profile 50x60

- 6. Self-drilling Inox screw
- 7. "Fixed point" metal bracket
- 8. "Sliding point" metal bracket
- 9. Insulation
- 10. Load bearing wall

- 11. Ventilated flashing
- 12. Top metal flashing
- 13. Sill metal flashing
- 14. Metal lintel flashing
- 15. Metal jambs flashing
- 16. Metal flashing



1. CUPA PIZARRAS Natural slate
2. First course slate
3. Self-drilling CUPACLAD® 101 screw
4. Horizontal CUPACLAD® 101 profile
5. "L" shape vertical profile 50x60

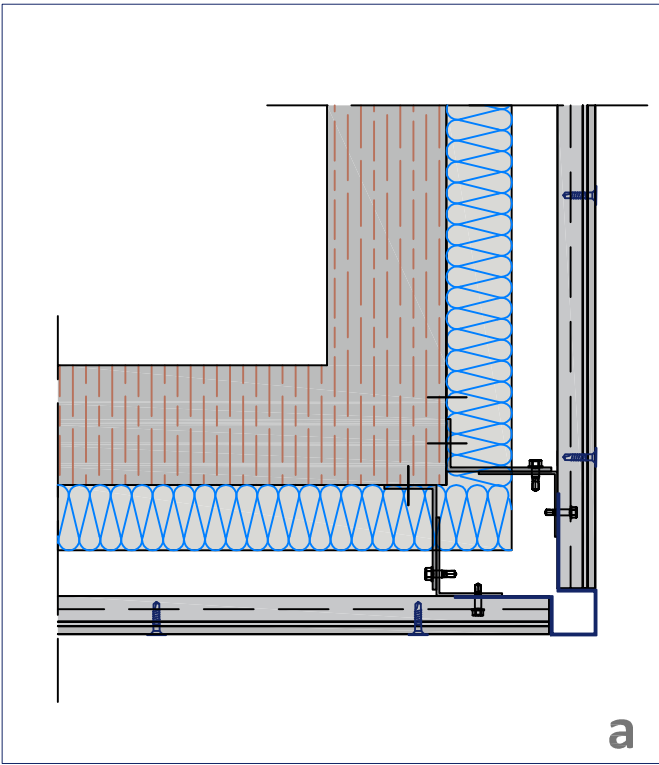
6. Self-drilling Inox screw
7. "Fixed point" metal bracket
8. "Sliding point" metal bracket
9. Insulation
10. Load bearing wall

11. Ventilated flashing
12. Top metal flashing
13. Sill metal flashing
14. Metal lintel flashing
15. Metal jambs flashing
16. Metal flashing

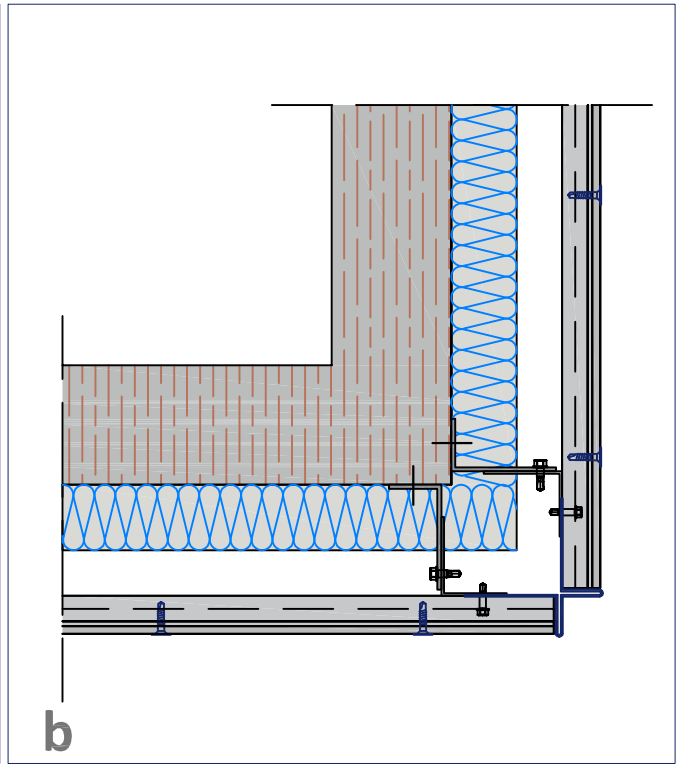
**CUPACLAD® 101**

**Top flashing for pitched roof**

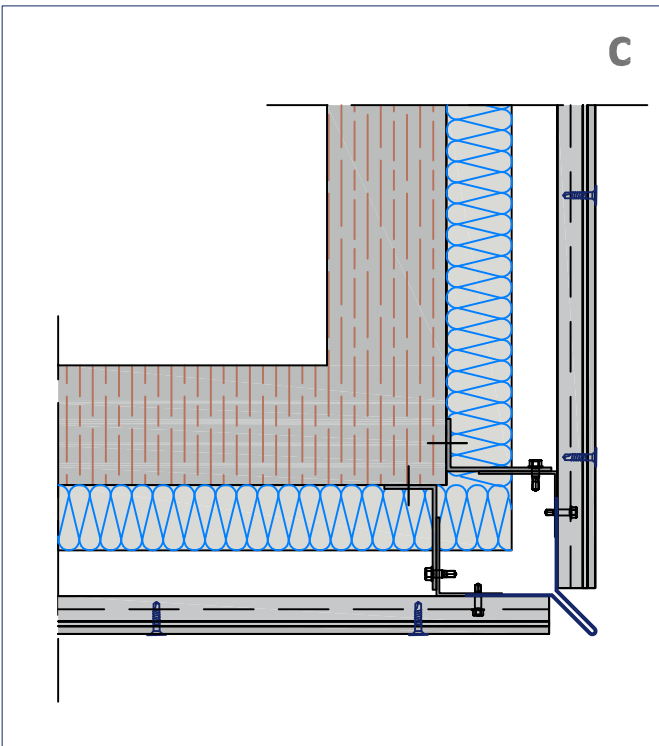
**CUPACLAD**  
by CUPA-GROUP



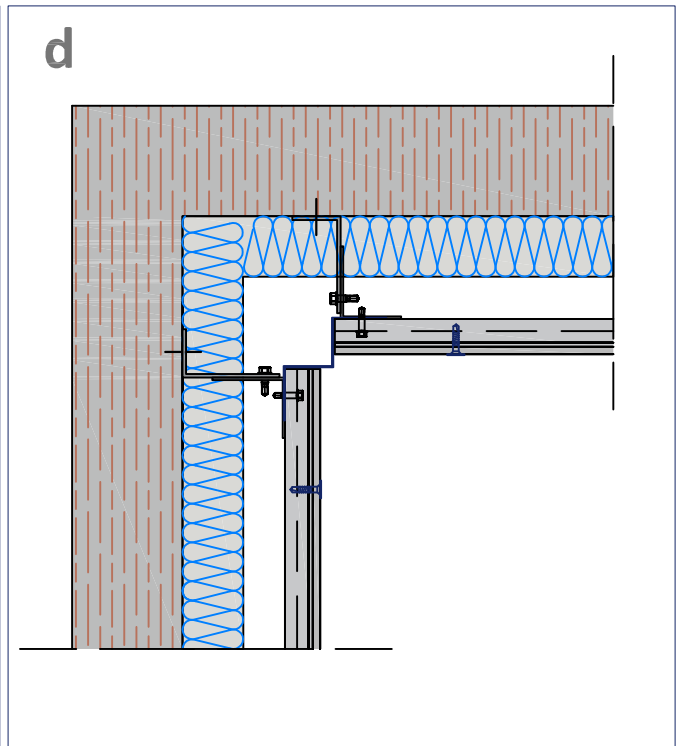
a



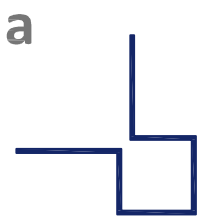
b



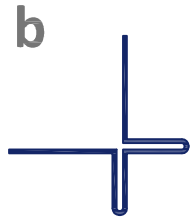
c



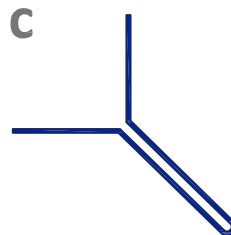
d



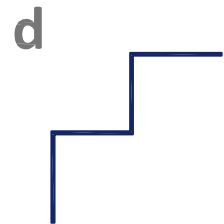
a



b



c



d