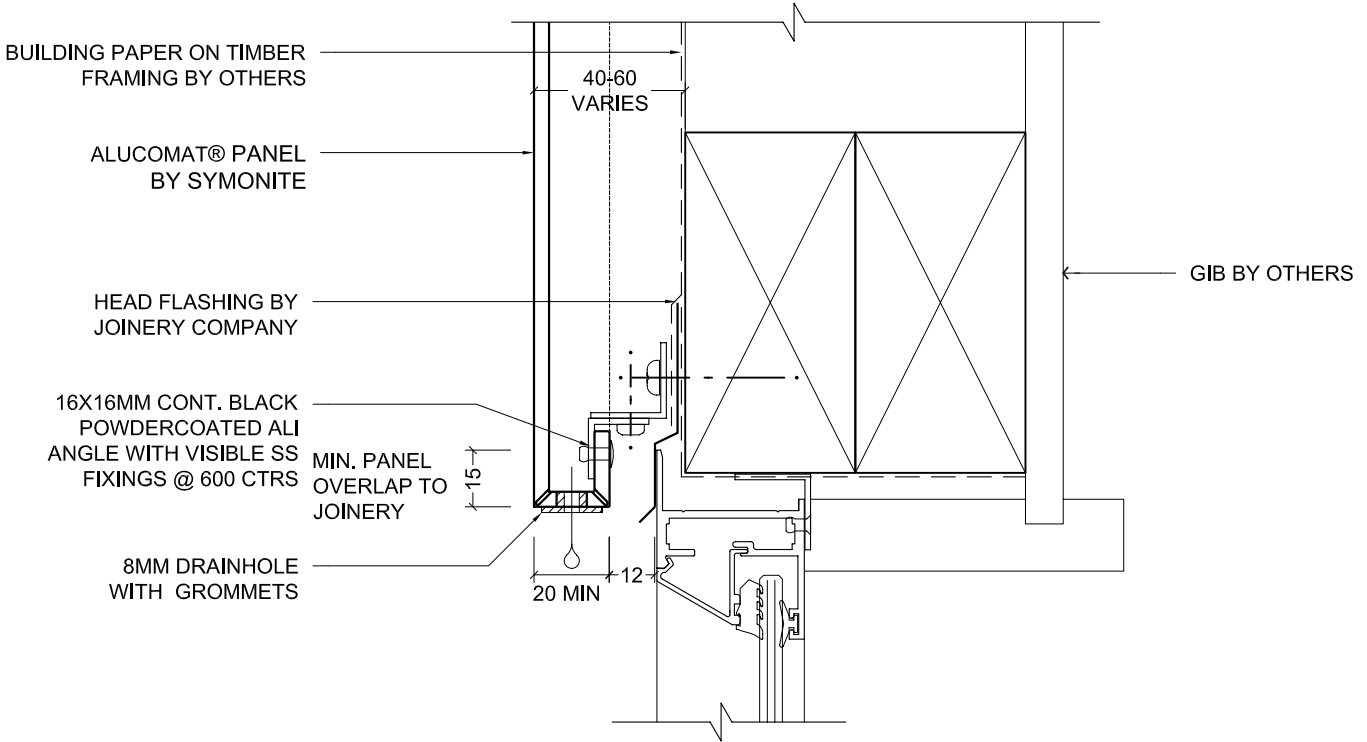
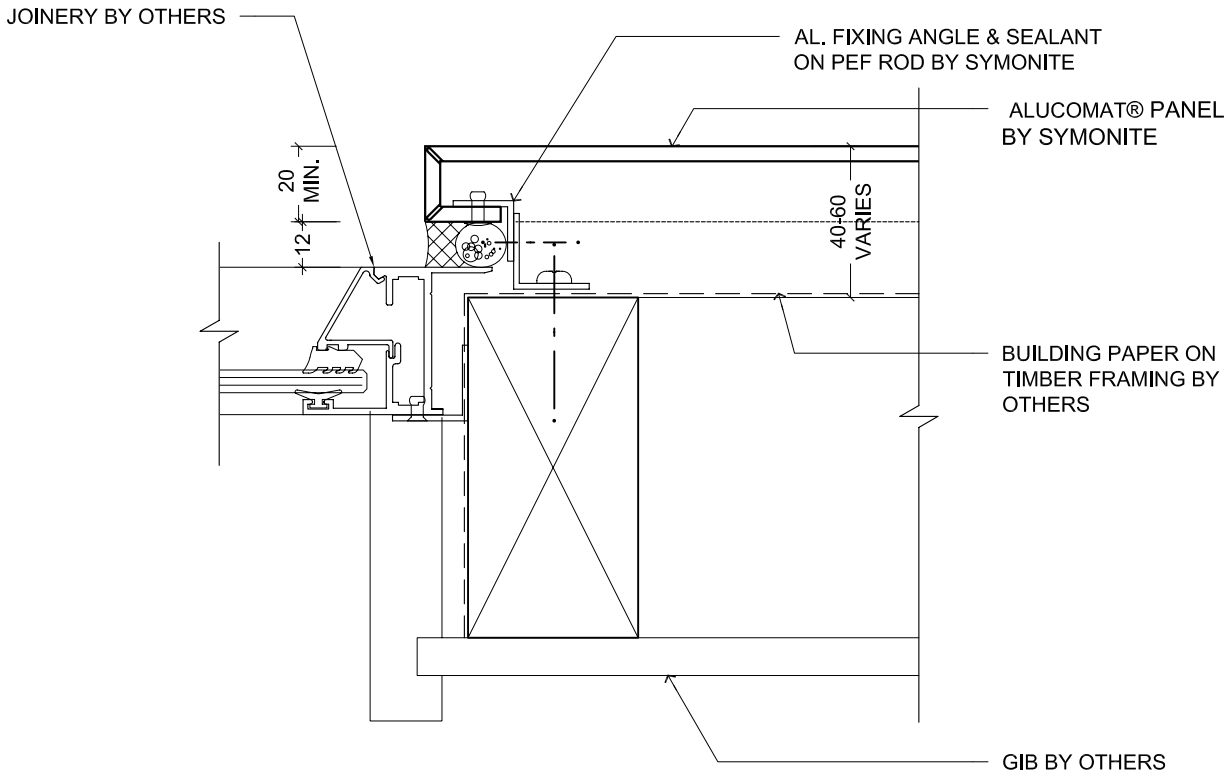


# ALUMINIUM COMPOSITE CLADDING SYSTEM



1 OPEN HEAD DETAIL (LIGHT COMMERCIAL)  
1:2 @ A4



1 JAMB DETAIL (LIGHT COMMERCIAL)  
1:2 @ A4