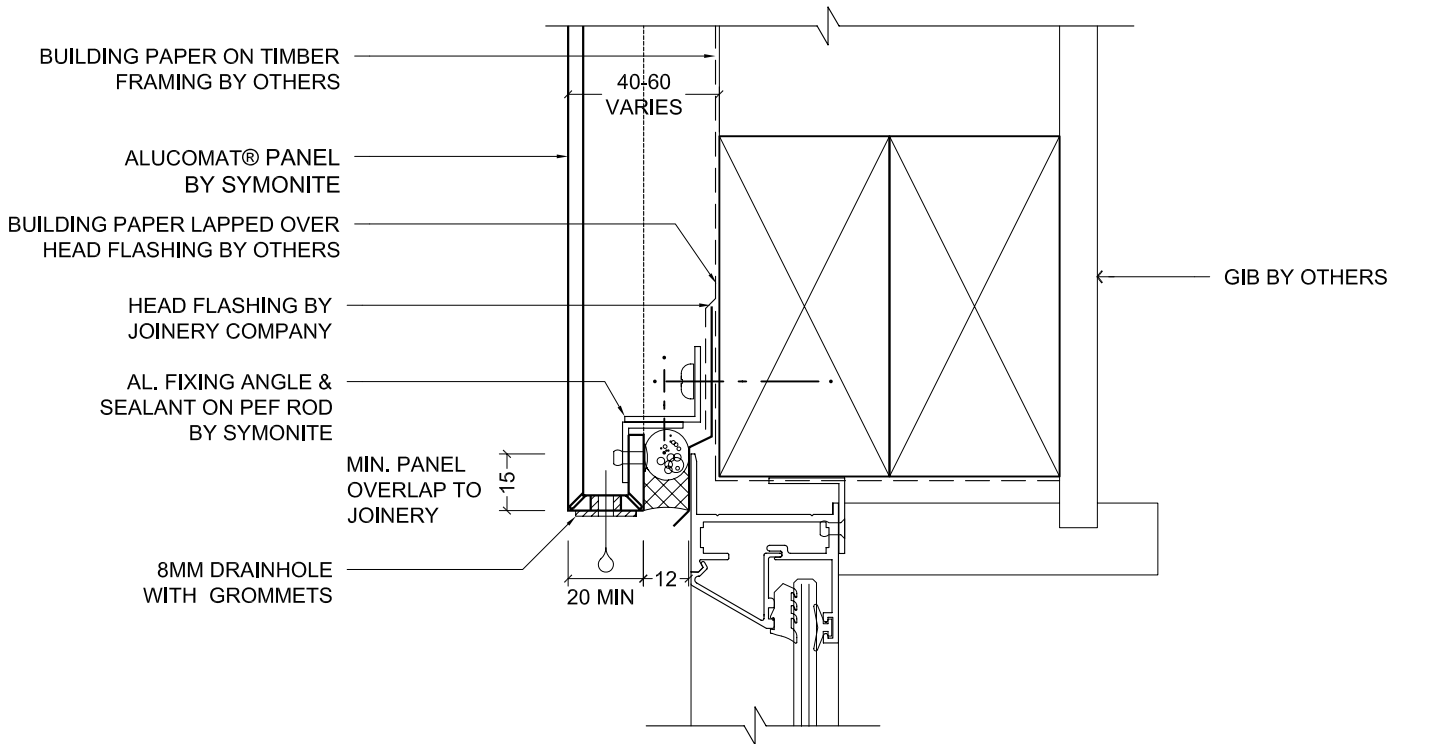
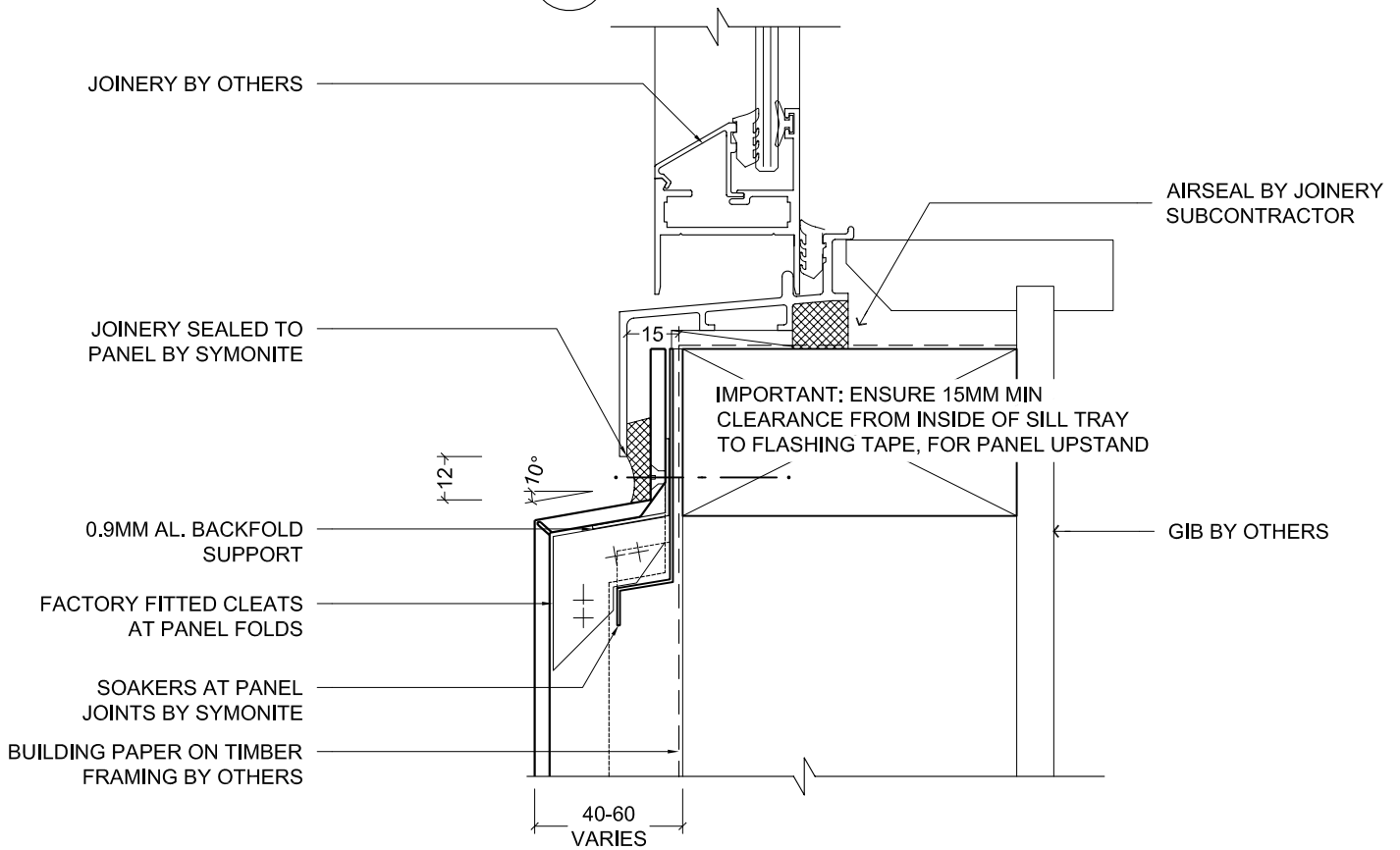


ALUMINIUM COMPOSITE CLADDING SYSTEM



1 HEAD DETAIL (LIGHT COMMERCIAL)
1:2 @ A4



2 SILL DETAIL (LIGHT COMMERCIAL)
1:2 @ A4